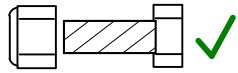




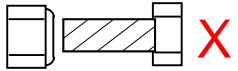
Use the Hex Key provided to tighten the stand pins. Use a pair of pliers or 10mm spanner to hold the nuts during tightening as the nylon locking insert inside the nut will require some force to fully tighten.



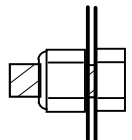
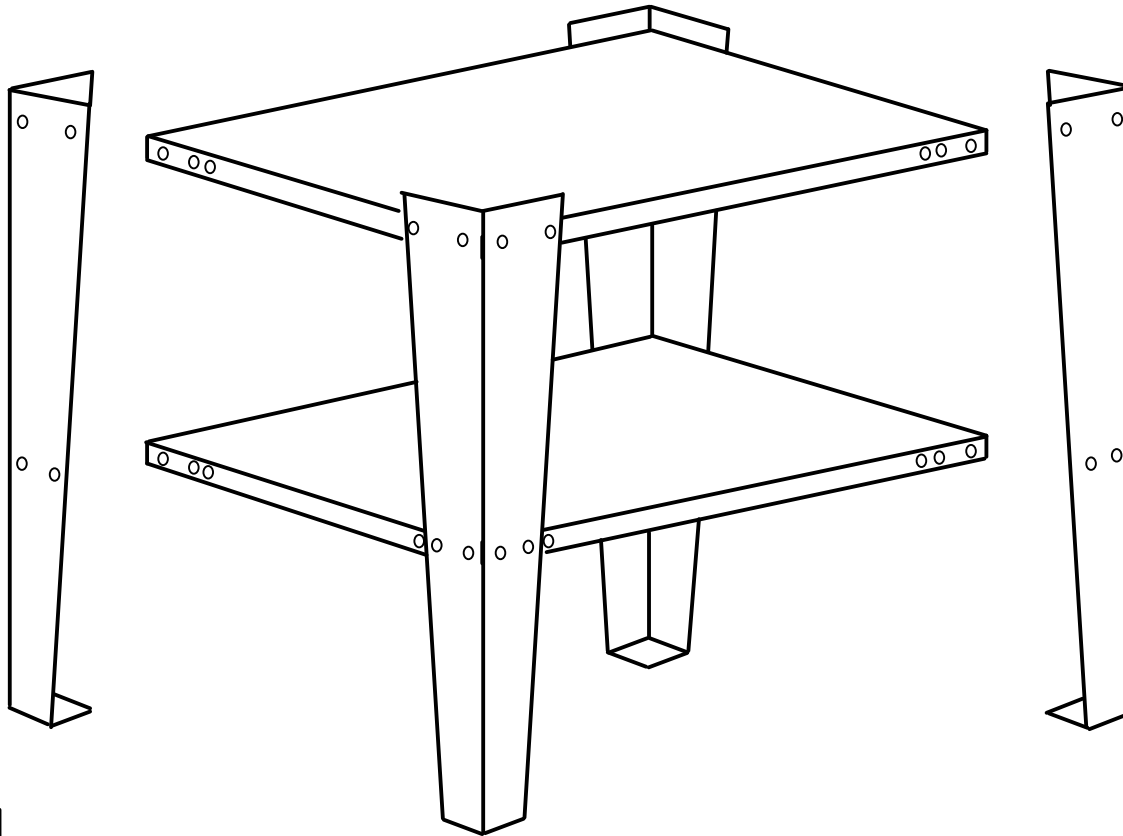
✓ The nuts have a nylon locking insert. The insert should be at the back



Correct shelf orientation.



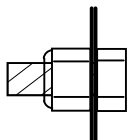
✗ of the nut when screwed onto the pin.



Pinch tight

It is advised to fully assemble the stand but not fully tighten initially. Pinch tighten the pins and nuts so that there is still some movement in the stand.

Position the stand and place the kiln on the stand. Adjust the stand position or pack under the legs of the stand until the lid catch on the kiln lines up with the catch on the base of the kiln. Once the lid is fully aligned the pins and nuts of the stand **must be fully tightened.**



Fully tight

Title: Hobby/Cub/Pro-fuser stand assembly

Author:

Date:

Sheet: 1.1

Revision: